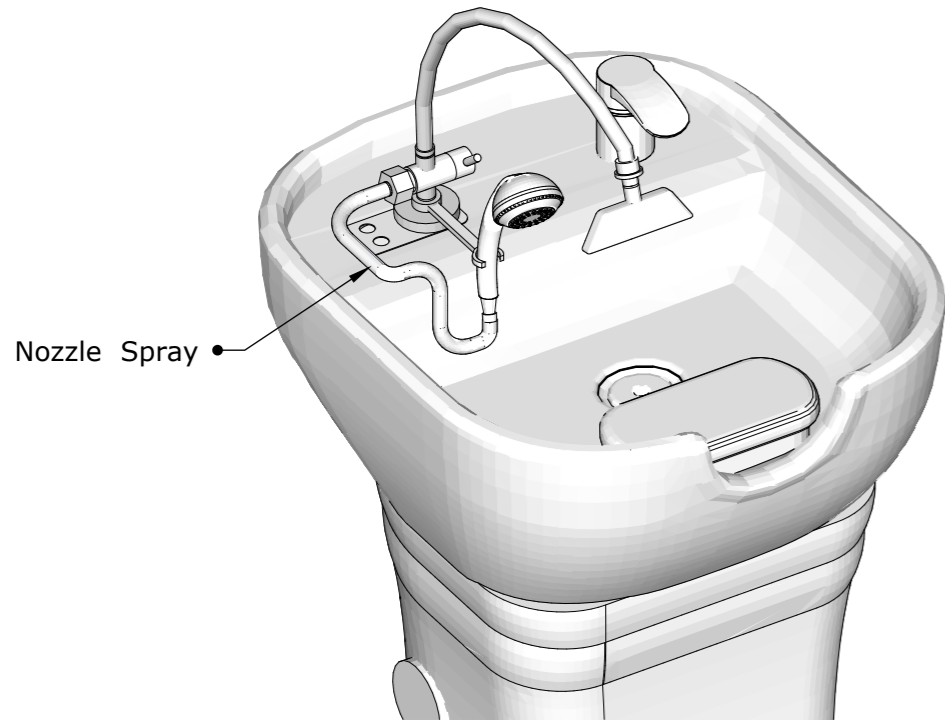
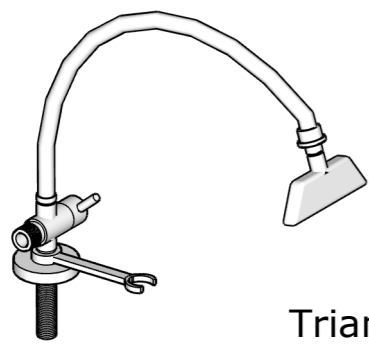




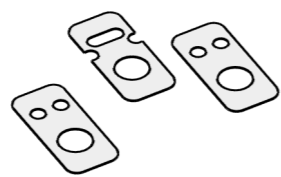
# Triangle Waterfall Head Spa Attachment Model # MH-911



## PARTS



Triangle Head Spray



Brackets



Cover



Nut



Washer 2x



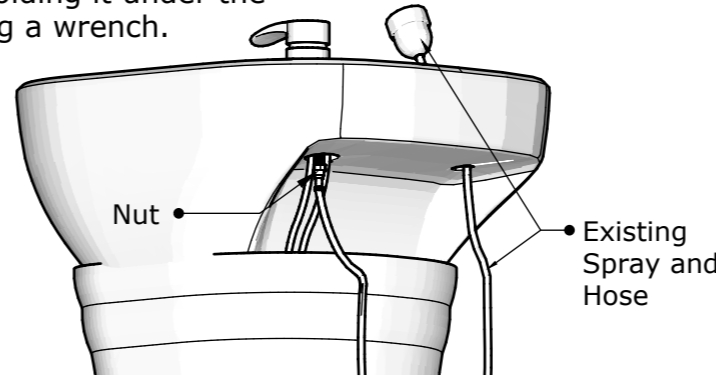
Flexible Hose

\*Open all boxes to check for parts before beginning assembly.

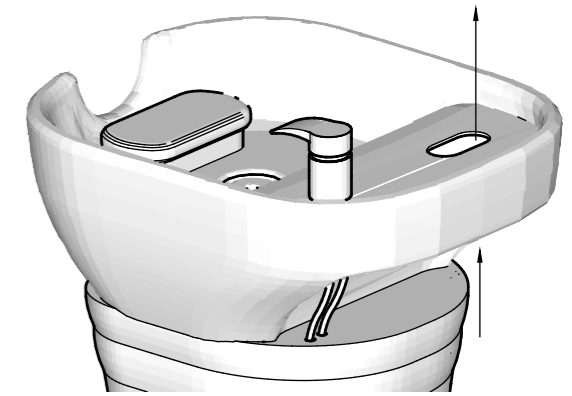
## Assembly instructions:

1 Make sure the water supply is turned off.

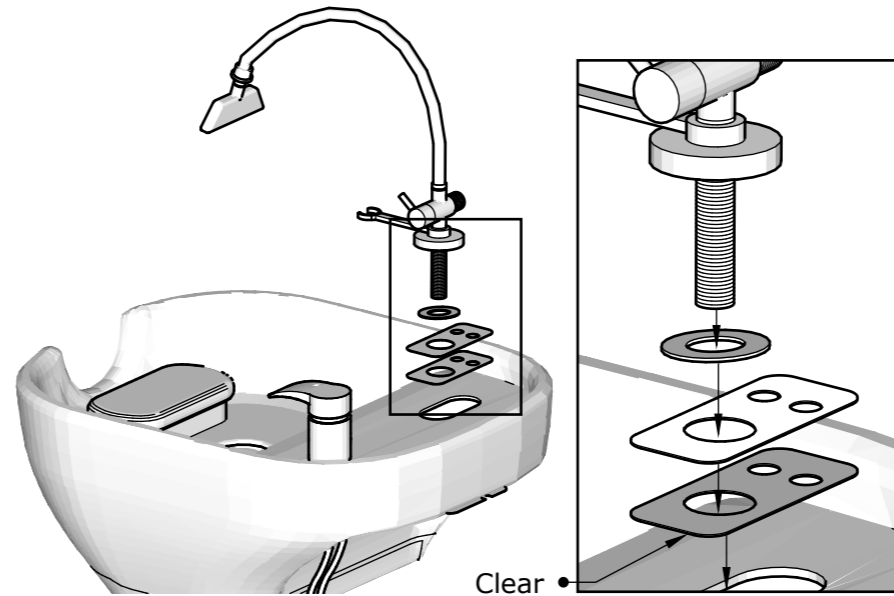
To remove the existing spray and hose, carefully unscrew the nut holding it under the bowl using a wrench.



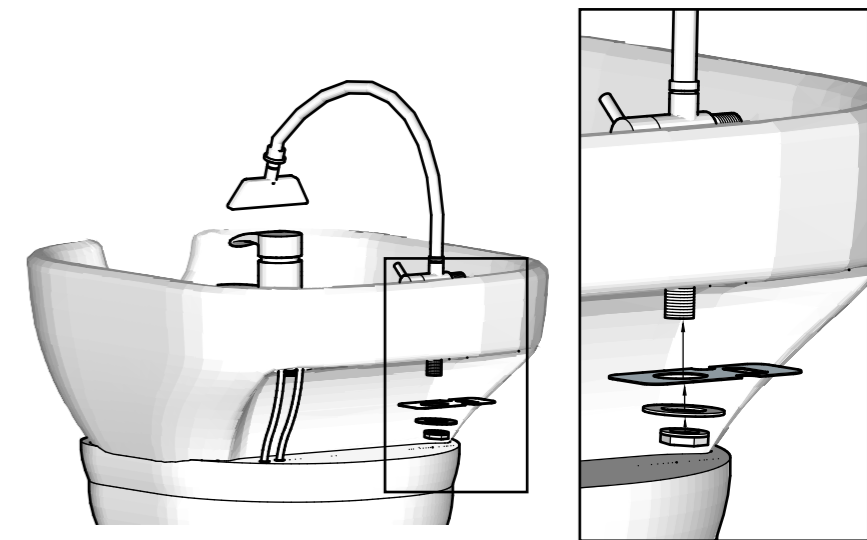
2 Then, pull the spray and hose out through the hole.



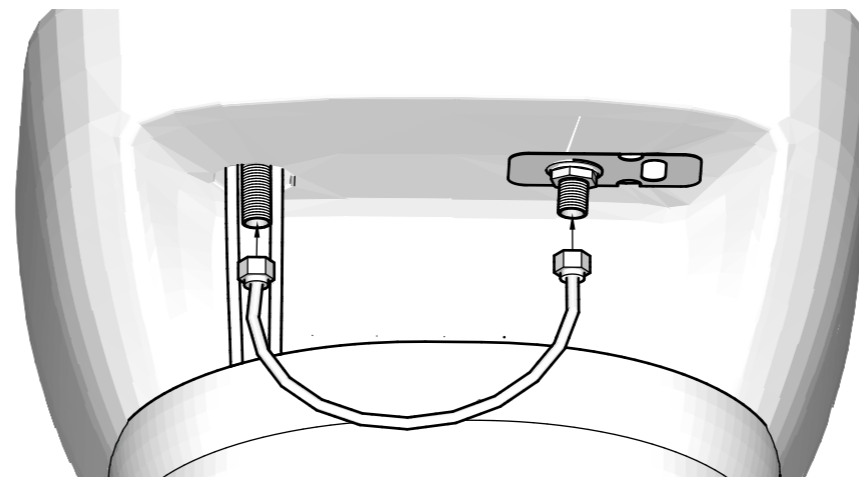
3 Arrange the Triangle Head Spray, washer and bracket and insert into the hole. Ensure that the Head sprayer is facing the sink.



4 Secure the Triangle Head sprayer using bracket, washer and a nut under the bowl using a wrench.



5 Secure the flexible hose by screwing on both sides.



6 Add the existing nozzle spray by removing the nut on the side of the Triangle head sprayer and tightening the nut of the nozzle spray.

Then turn on the water supply and enjoy!

